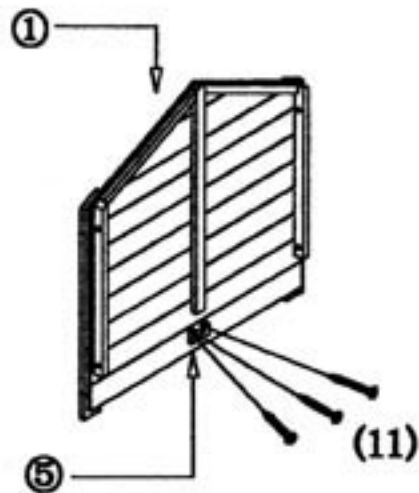
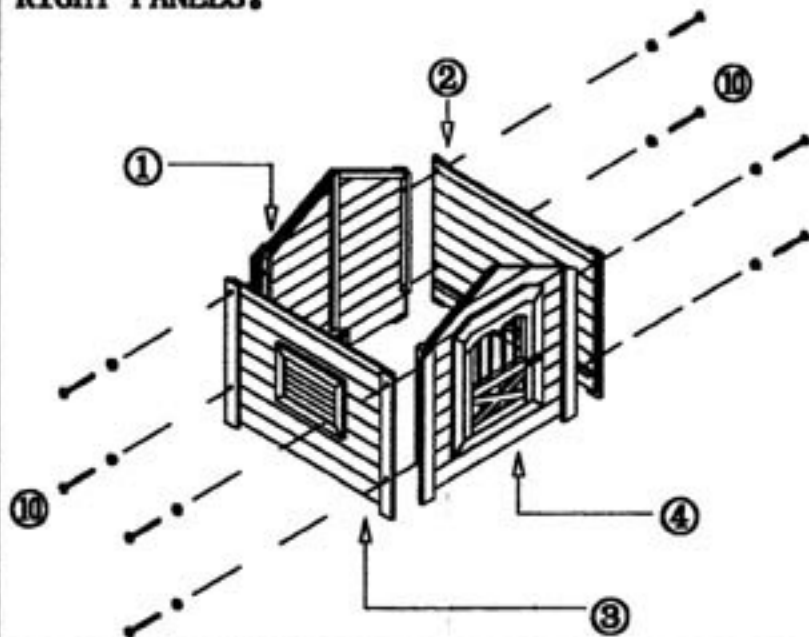


B. ASSEMBLY STEPS

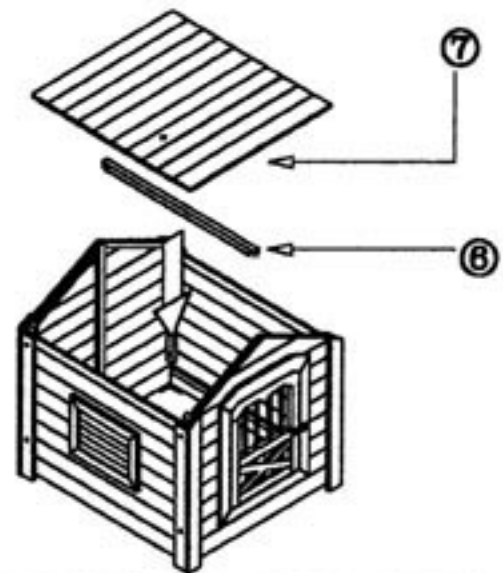
STEP ONE: INSTALL REAR PANEL AND FLOOR SUPPORT BEAM.



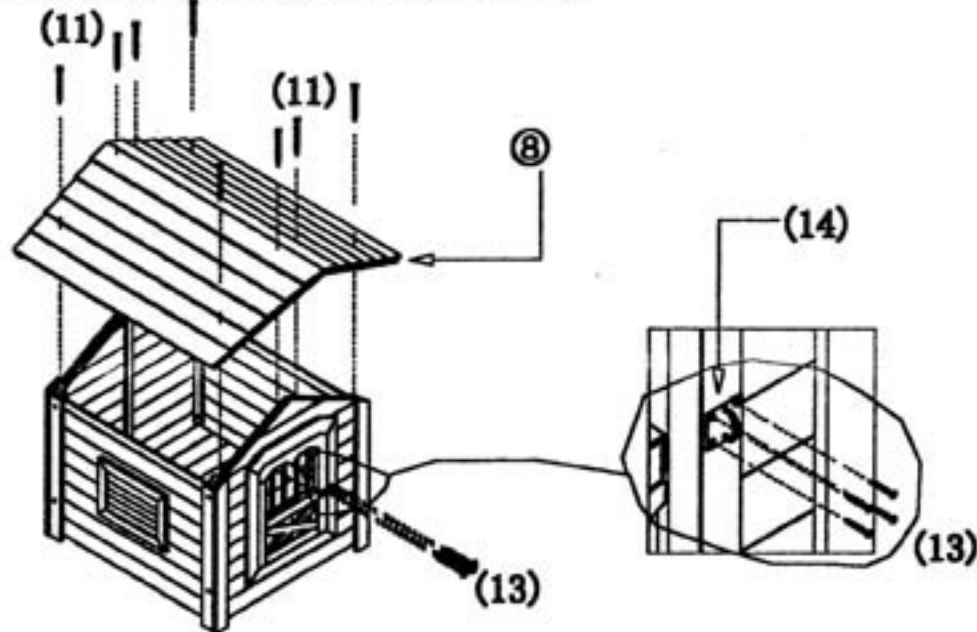
STEP TWO: INSTALL FRONT, REAR, LEFT, AND RIGHT PANELS.



STEP THREE: PLACE FLOOR SUPPORT BEAM AND FLOOR PANEL INSIDE THE HOUSE.



STEP FOUR: PLACE ROOF PANELS ON HOUSE AND SECURE WITH SCREWS. INSTALL DOOR LOCK.



STEP FIVE: INSTALL ROOF RIDGE.

