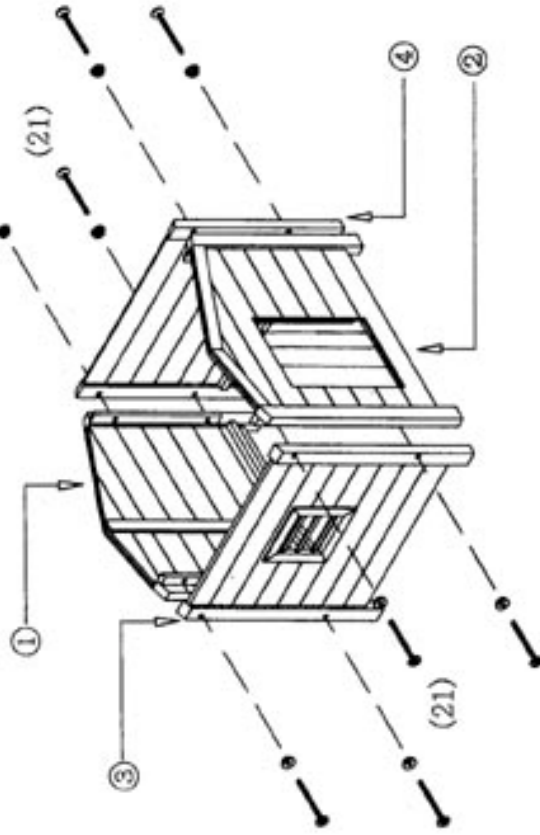


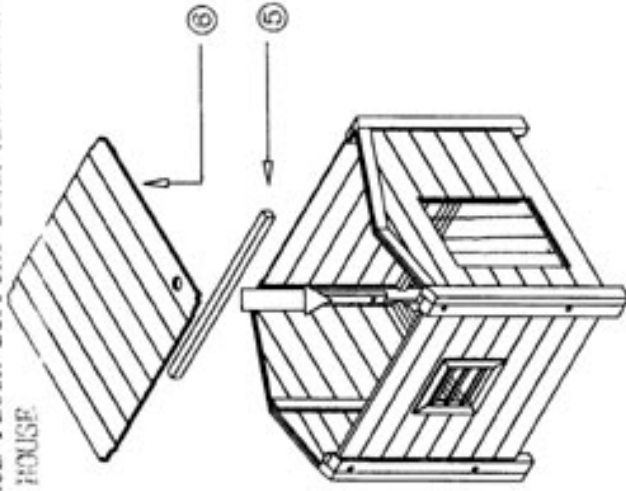
B. ASSEMBLY STEPS

STEP ONE: INSTALL FRONT, FRONT, RIGHT, LEFT AND RIGHT PANELS.

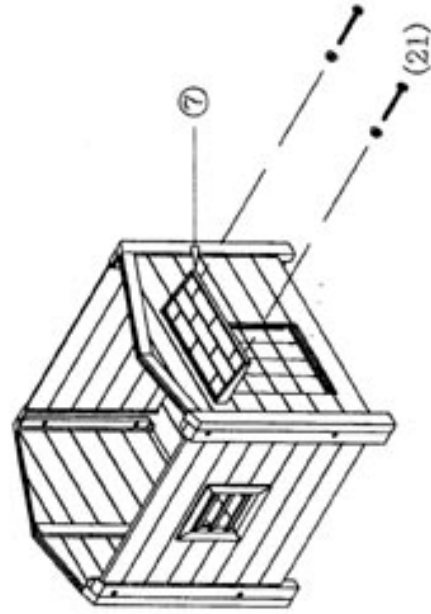


STEP TWO: PLACE FLOOR SUPPORT BEAM AND FLOOR PANEL

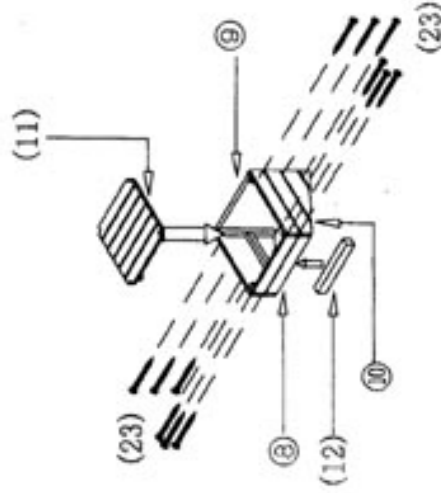
INSIDE THE HOUSE



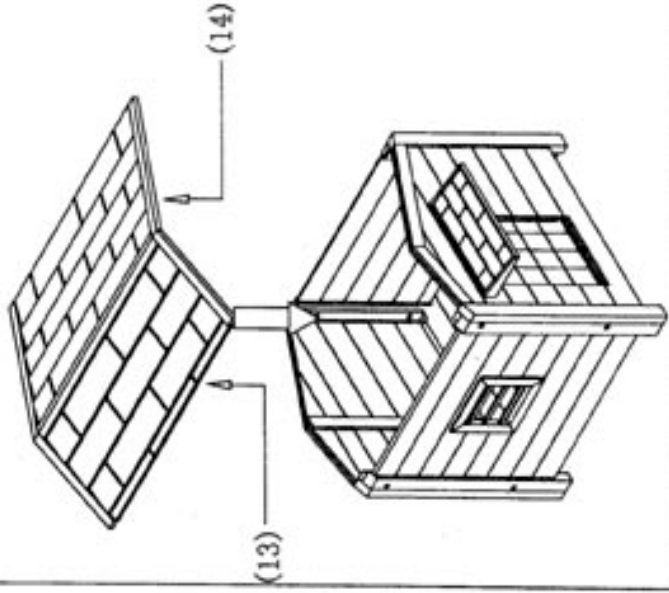
STEP THREE: INSTALL DOOR SHADE.



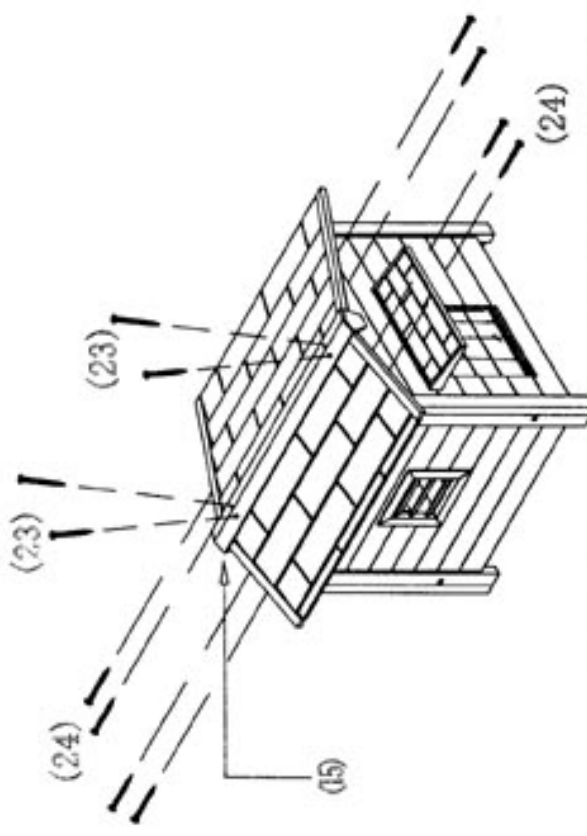
STEP FOUR: ASSEMBLE PLANTER.



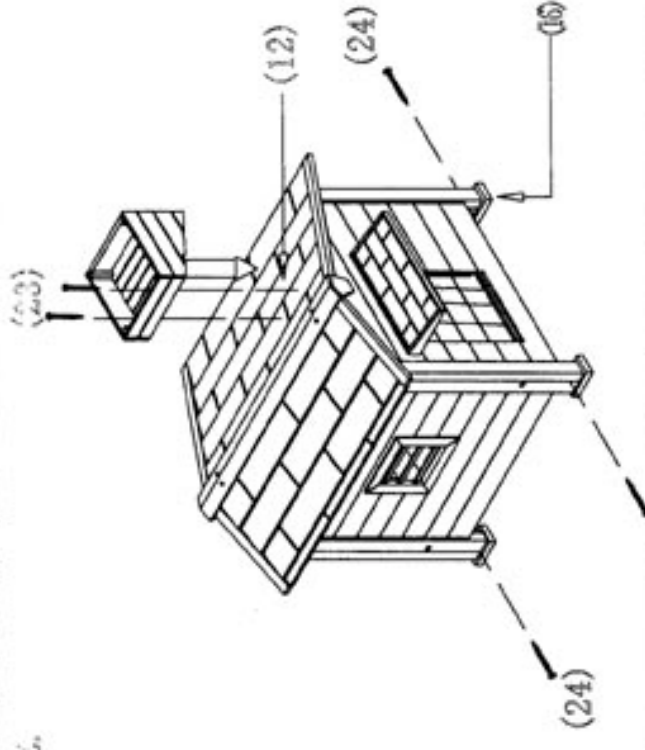
STEP FIVE: PLACE ROOF PANELS ON HOUSE.



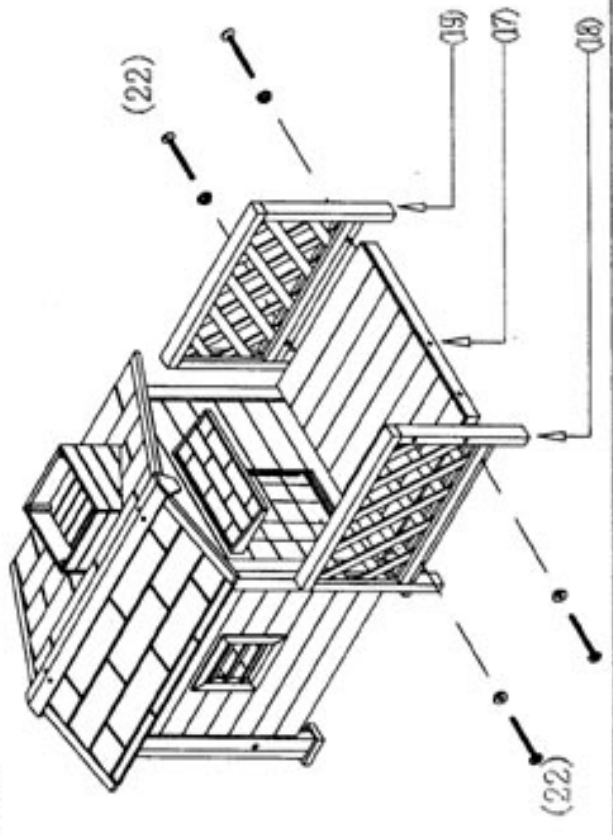
STEP SIX: SECURE ROOF WITH SCREWS, PLACE ROOF RING ON ROOF AND SECURE WITH SCREWS.



STEP SEVEN: PLACE PLASTER ON SECURED PLASTER FORMS WEDGOL.



STEP EIGHT: INSTALL LEFT AND RIGHT FENCES WITH DECK FLOOR.



STEP NINE: INSTALL FRONT PANEL OF FENCE.

